



## Indice - Index



**Antivibrante Cilindrico Femmina-Femmina 60 SH (FF) –  
Anti-Vibration Mountings Female-Female 60 SH (FF)**



**Antivibrante Cilindrico Maschio-Femmina 60 SH (MF)  
Anti-Vibration Mountings Male-Female 60 SH (MF)**



**Antivibrante Cilindrico Maschio-Maschio 60 SH (MM)  
Anti-Vibration Mountings Male-Male 60 SH (MM)**



**Antivibrante Cilindrico Piede-Femmina 60 SH (PF)  
Anti-Vibration Mountings Foot-Female 60 SH (PF)**



**Antivibrante Cilindrico Piede-Maschio 60 SH (PM)  
Anti-Vibration Mountings Foot-Male 60 SH (PM)**



**Antivibrante Parabolico Piede-Femmina 60 SH (PPF)  
Anti-Vibration Mountings Parabolic Foot-Female 60 SH (PPF)**



**Antivibrante Parabolico Piede-Maschio 60 SH (PPM)  
Anti-Vibration Mountings Parabolic Foot-Male 60 SH (PPM)**

 **MONDIALTECH**  
Forniture Industriali

Via Raimondo Dalla Costa 240/b  
41100 MODENA - ITALY  
Tel. +39 059 250090 Fax. +39 059 260083  
Codice R.E.A. 354046  
Partita IVA E. Codice Fiscale: 03061810366  
e-Mail: [monditecinfo@mondialtech.net](mailto:monditecinfo@mondialtech.net)  
Web: <http://www.mondialtech.net>

**LK**  
Supporto di Qualità

**CSC**  
Cuscinetti Standard

**MONDIAL**  
Cuscinetti a Rulli

Vasto assortimento di Cuscinetti SKF - FAG



*Antivibranti*

*Anti Vibration Mounting*



**Antivibrante Sgolato Maschio-Maschio 60 SH (MM)**  
**Anti-Vibration Mountings Male-Male 60 SH (MM)**



**Antivibrante a Campana con Alloggiamento 60 SH**  
**Anti-Vibration Bell with Nut 60 SH**



**Antivibrante a Campana senza Alloggiamento 60 SH**  
**Anti-Vibration Bell without Nut 60 SH**



**Barra Metalgomma (BM) – Rubber Metal Bar (BM)**



**Collarino 60 SH – Collar 60 SH**



**Listello Metalgomma (LM) – Rubber to Metal Bar (LM only one Plate)**



**Molligom Tipo A – Molligom Type A**



**Molligom Tipo B – Molligom Type B**

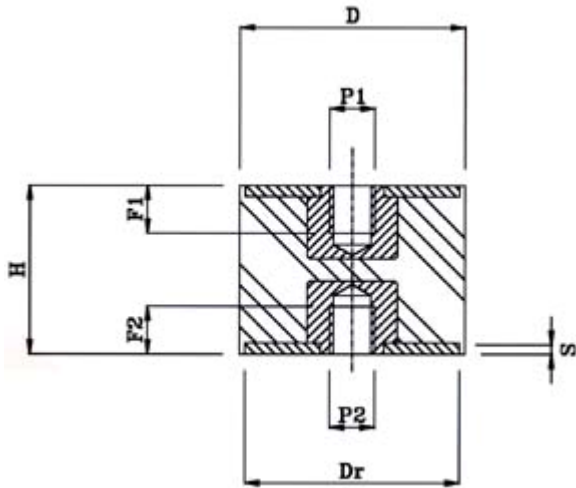


**MONDIALTECH**

Forniture Industriali

Via Raimondo Dalla Costa 240/b  
41100 MODENA - ITALY  
Tel. +39 059 250090 Fax. +39 059 260083  
Codice R.E.A. 354046  
Partita IVA E. Codice Fiscale: 03061810366  
e-Mail: [mondialtech@mondialtech.net](mailto:mondialtech@mondialtech.net)  
Web: <http://www.mondialtech.net>

Vasto assortimento di Cuscinetti SKF - FAG



**ANTIVIBRANTE CILINDRICO FEMMINA-FEMMINA 60 SH (FF)**  
**ANTI-VIBRATION MOUNTINGS FEMALE-FEMALE 60 SH (FF)**

MODELLO	D mm	H mm	DR mm	S mm	P1	F1 mm	P2	F2 mm	DUREZZA ShA	Carico Compressione MAX (Kg)	K Comp	Carico Taglio MAX (Kg)	K Taglio
FF1515446A	15	15	14	1	M4	5	M4	5	60	22.5	8.8	5.5	0.7
FF1515556A	15	15	14	1	M5	5	M5	5	60	22.5	8.8	5.5	0.7
FF1520446A	15	20	14	1	M4	5	M4	5	60	21	6.9	6	0.6
FF1520556A	15	20	14	1	M5	5	M5	5	60	21	6.9	6	0.6
FF2020666A	20	20	18	2	M6	8	M6	8	60	40	22.8	7	1.7
FF2025666A	20	25	18	2	M6	8	M6	8	60	36	9.1	6	1.5
FF2520666A	25	20	23	2	M6	8	M6	8	60	54	17.6	9	1.6
FF2525666A	25	25	23	2	M6	8	M6	8	60	47	14	8	1.4
FF2530666A	25	30	23	2	M6	8	M6	8	60	39	11.4	7	1.1
FF2540666A	25	40	23	2	M6	8	M6	8	60	32	9.5	7	0.9
FF3020886A	30	20	28	2	M8	9	M8	9	60	72	27.3	15	2.6
FF3025886A	30	25	28	2	M8	9	M8	9	60	66	25.6	14	2.5
FF3030886A	30	30	28	2	M8	9	M8	9	60	61	24	13	2.4
FF3035886A	30	35	28	2	M8	9	M8	9	60	56	18.2	12	1.8
FF3040886A	40	40	28	2	M8	9	M8	9	60	51	12.4	11	1.2
FF4030886A	40	30	38	2	M8	9	M8	9	60	138	24.1	30	2.5
FF403010106A	40	30	38	2	M10	11	M10	11	60	138	24.1	30	2.5
FF4035886A	40	35	38	2	M8	9	M8	9	60	117	21.1	28	1.8



# MONDIALTECH

Forniture Industriali

Via Raimondo Dalla Costa 240/b  
 41100 MODENA - ITALY  
 Tel. +39 059 250090 Fax. +39 059 260083  
 Codice R.E.A. 354046  
 Partita IVA E. Codice Fiscale: 03061810366  
 e-Mail: [mondialtech@mondialtech.net](mailto:mondialtech@mondialtech.net)  
 Web: <http://www.mondialtech.net>



Vasto assortimento di Cuscinetti SKF - FAG

MODELLO	D mm	H mm	DR mm	S mm	P1	F1 mm	P2	F2 mm	DUREZZA ShA	Carico Compressione MAX (Kg)	K Comp	Carico Taglio MAX (Kg)	K Taglio
FF403510106A	40	35	38	2	M10	11	M10	11	60	117	21.1	28	1.8
FF4040886A	40	40	38	2	M8	9	M8	9	60	97	18.2	25	1.8
FF404010106A	40	40	38	2	M10	11	M10	11	60	97	18.2	25	1.8
FF502510106A	50	25	48	2.5	M10	11	M10	11	60	187	64	35	6.5
FF503010106A	50	30	48	2.5	M10	11	M10	11	60	181	28	32	3
FF504010106A	50	40	48	2.5	M10	11	M10	11	60	168	24	30	2.5
FF504510106A	50	45	48	2.5	M10	11	M10	11	60	163	21	28	2.1
FF505010106A	50	50	48	2.5	M10	11	M10	11	60	152	17.2	28	1.5
FF603012126A	60	30	58	2.5	M12	13	M12	13	60	260	22.5	45	2.4
FF603512126A	60	35	58	2.5	M12	13	M12	13	60	250	21.4	43	2.2
FF604012126A	60	40	58	2.5	M12	13	M12	13	60	241	20.2	42	2.1
FF604512126A	60	45	58	2.5	M12	13	M12	13	60	234	19.3	37	1.9
FF605012126A	60	50	58	2.5	M12	13	M12	13	60	227	18.5	32	1.8
FF752512126A	75	25	73	3	M12	13	M12	14	60	285	58	60	6
FF753012126A	75	30	73	3	M12	13	M12	14	60	287	53.5	55	5.4
FF754012126A	75	40	73	3	M12	13	M12	14	60	280	49	50	4.9
FF754512126A	75	45	73	3	M12	13	M12	14	60	277	46	50	4.5
FF755012126A	75	50	73	3	M12	13	M12	14	60	275	43	50	4.1
FF755512126A	75	55	73	3	M12	13	M12	14	60	270	32.5	47	3
FF1003016166A	100	30	98	3	M16	16	M16	16	60	775	147	150	11
FF1004016166A	100	40	98	3	M16	16	M16	16	60	775	128	150	9.3
FF1005016166A	100	50	98	3	M16	16	M16	16	60	770	97	140	7.2
FF1005516166A	100	55	98	3	M16	16	M16	16	60	770	91	136	6.6
FF1006016166A	100	60	98	3	M16	16	M16	16	60	765	86	130	5.3
FF1008016166A	100	80	98	3	M16	16	M16	16	60	730	66.5	115	3.9



**MONDIALTECH**  
Forniture Industriali

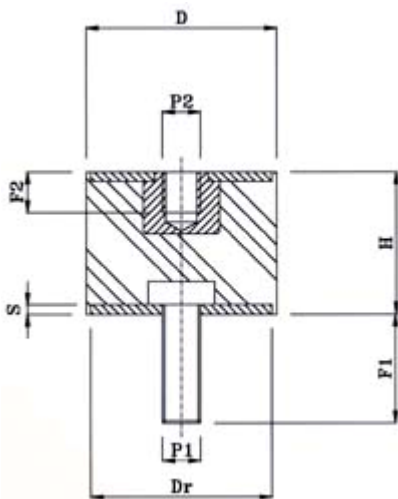
Via Raimondo Dalla Costa 240/b  
41100 MODENA - ITALY  
Tel. +39 059 250090 Fax: +39 059 260083  
Codice R.E.A. 354046  
Partita IVA E. Codice Fiscale: 03061810366  
e-Mail: [mondialtech@mondialtech.net](mailto:mondialtech@mondialtech.net)  
Web: <http://www.mondialtech.net>

Vasto assortimento di Cuscinetti SKF - FAG

**LK**  
Supporti di Qualità

**CSC**  
Cuscinetti Normalizzati

**MONDIAL**  
Cuscinetti a Balli



**ANTIVIBRANTE CILINDRICO MASCHIO-FEMMINA 60 SH (MF)**  
**ANTI-VIBRATION MOUNTINGS MALE-FEMALE 60 SH (MF)**

MODELLO	D mm	H mm	DR mm	S mm	P1	F1 mm	P2	F2 mm	DUREZZA ShA	Carico Compressione MAX (Kg)	K Comp	Carico Taglio MAX (Kg)	K Taglio
MF1515A46A	15	15	14	1	M4	15	M4	5	60	20	7.3	5	0.6
MF1515B56A	15	15	14	1	M5	15	M5	5	60	20	7.3	5	0.6
MF1520A46A	15	20	14	1	M4	15	M4	5	60	19.5	6	5	0.5
MF1520B56A	15	20	14	1	M5	15	M5	5	60	19.5	6	5	0.5
MF2015C66A	20	15	18	2	M6	20	M6	8	60	38	21	8.3	1.8
MF2020C66A	20	20	18	2	M6	20	M6	8	60	35	19.5	7.5	1.7
MF2025C66A	20	25	18	2	M6	20	M6	8	60	34	8.4	7	1.6
MF2520D66A	25	20	23	2	M6	25	M6	8	60	51	16	8.5	1.5
MF2525D66A	25	25	23	2	M6	25	M6	8	60	44	13	8	1.2
MF2530D66A	25	30	23	2	M6	25	M6	8	60	37.5	9.4	7	0.9
MF3020E86A	30	20	28	2	M8	25	M8	9	60	70	25.5	14	2.5
MF3025E86A	30	25	28	2	M8	25	M8	9	60	63	24.7	13	2.5
MF3030E86A	30	30	28	2	M8	25	M8	9	60	57	24	12.5	2.4
MF3035E86A	30	35	28	2	M8	25	M8	9	60	52.8	17.4	11.2	1.7
MF3040E86A	30	40	28	2	M8	25	M8	9	60	48.7	10.8	10	1.1
MF4020E86A	40	20	38	2	M8	25	M8	9	60	125	31	26	2.5
MF4020F106A	40	20	38	2	M10	30	M10	11	60	125	31	26	2.5





# MONDIALTECH

Forniture Industriali

Via Raimondo Dalla Costa 240/b  
 41100 MODENA - ITALY  
 Tel. +39 059 250090 Fax. +39 059 260083  
 Codice R.E.A. 354046  
 Partita IVA E Codice Fiscale: 03061310366  
 e-Mail: [monditecinfo@mondialtech.net](mailto:monditecinfo@mondialtech.net)  
 Web: <http://www.mondialtech.net>



Vasto assortimento di Cuscinetti SKF - FAG

MODELLO	D mm	H mm	DR mm	S mm	P1	F1 mm	P2	F2 mm	DUREZZA Sha	Carico Compressione MAX (Kg)	K Comp	Carico Taglio MAX (Kg)	K Taglio
MF4030E86A	40	30	38	2	M8	25	M8	9	60	112	22.2	27	2.3
MF4030F106A	40	30	38	2	M10	30	M10	11	60	112	22.2	27	2.3
MF4035E86A	40	35	38	2	M8	25	M8	9	60	103	18.7	24.5	1.9
MF4035F106A	40	35	38	2	M10	30	M10	11	60	103	18.7	24.5	1.9
MF4040E86A	40	40	38	2	M8	25	M8	9	60	95	15.2	22	1.6
MF4040F106A	40	40	38	2	M10	30	M10	11	60	95	15.2	22	1.6
MF5025F106A	50	25	48	2.5	M10	30	M10	11	60	167	59	35	5.4
MF5030F106A	50	30	48	2.5	M10	30	M10	11	60	167	44.5	35	3.7
MF5035F106A	50	35	48	2.5	M10	30	M10	11	60	160	33.2	31.5	3
MF5040F106A	50	40	48	2.5	M10	30	M10	11	60	153	21.9	30	2.3
MF5045F106A	50	45	48	2.5	M10	30	M10	11	60	144	20.9	28	1.9
MF5050F106A	50	50	48	2.5	M10	30	M10	11	60	135	18.4	26	1.5
MF6030G126A	60	30	58	2.5	M12	40	M12	13	60	225	43	42	2.1
MF6035G126A	60	35	58	2.5	M12	40	M12	13	60	221	39.2	40	2
MF6040G126A	60	40	58	2.5	M12	40	M12	13	60	218	32.3	38	1.9
MF6045G126A	60	45	58	2.5	M12	40	M12	13	60	214	29.8	35	1.8
MF6050G126A	60	50	58	2.5	M12	40	M12	13	60	210	25.1	32	1.7
MF6060G126A	60	60	58	2.5	M12	40	M12	13	60	197	19.8	29	1.5
MF7530G126A	75	30	73	3	M12	40	M12	14	60	308	60.5	51	4
MF7540G126A	75	40	73	3	M12	40	M12	14	60	280	43.2	49	3.5
MF7545G126A	75	45	73	3	M12	40	M12	14	60	275	35.8	48	3.2
MF7550G126A	75	50	73	3	M12	40	M12	14	60	270	32	47	2.9
MF7555G126A	75	55	73	3	M12	40	M12	14	60	260	28.7	51	2.6
MF10040H166A	100	40	98	3	M16	50	M16	16	60	630	86.5	110	9
MF10050G166A	100	50	98	3	M16	50	M16	16	60	600	71	105	6.3
MF10055H166A	100	55	98	3	M16	50	M16	16	60	600	65	105	5.5
MF10060H166A	100	60	98	3	M16	50	M16	16	60	600	62	105	5.2
MM10080H166A	100	80	98	3	M16	50	M16	16	60	560	48.9	100	4.7



**MONDIALTECH**

Forniture Industriali

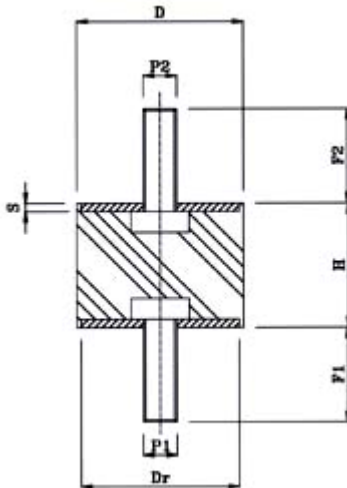
Via Raimondo Dalla Costa 240/b  
41100 MODENA - ITALY  
Tel. +39 059 256090 Fax. +39 059 260883  
Codice R.E.A. 354046  
Partita IVA E Codice Fiscale: 03061810366  
e-Mail: [monditecinfo@mondialtech.net](mailto:monditecinfo@mondialtech.net)  
Web: <http://www.mondialtech.net>

Vasto assortimento di Cuscinetti SKF - FAG

LK  
Supporti di Qualità

CSC  
Cuscinetti Specializzati

MONDIAL  
Cuscinetti a Balli



**ANTIVIBRANTE CILINDRICO MASCHIO-MASCHIO 60 SH (2M)**  
**ANTI-VIBRATION MOUNTINGS MALE-MALE 60 SH (MM)**

MODELLO	D mm	H mm	DR mm	S mm	P1	F1 mm	P2	F2 mm	DUREZZA ShA	Carico Compressione MAX (Kg)	K Comp	Carico Taglio MAX (Kg)	K Taglio
MM1510AA6A	15	10	14	1	M4	15	M4	15	60	16.5	11	4.2	0.1
MM1510BB6A	15	10	14	1	M5	15	M5	15	60	16.5	11	4.2	0.1
MM1515AA6A	15	15	14	1	M4	15	M4	15	60	18.5	6.2	4.2	0.6
MM1515BB6A	15	15	14	1	M5	15	M5	15	60	18.5	6.2	4.2	0.6
MM1520AA6A	15	20	14	1	M4	15	M4	15	60	19	5.4	4.2	0.5
MM1520BB6A	15	20	14	1	M5	15	M5	15	60	19	5.4	4.2	0.5
MM2010CC6A	20	10	18	2	M6	20	M6	20	60	34	29	8.3	2.9
MM2015CC6A	20	15	18	2	M6	20	M6	20	60	34	19	8.3	1.7
MM2020CC6A	20	20	18	2	M6	20	M6	20	60	32	18.4	8.3	1.7
MM2025CC6A	20	25	18	2	M6	20	M6	20	60	32	7.8	8.3	1.6
MM2510DD6A	25	10	23	2	M6	25	M6	25	60	33	23.1	8.1	2.4
MM2515DD6A	25	15	23	2	M6	25	M6	25	60	31	18.1	8.1	1.8
MM2520DD6A	25	20	23	2	M6	25	M6	25	60	49	15.7	8.1	1.4
MM2525DD6A	25	25	23	2	M6	25	M6	25	60	49	11.7	8.1	1.1
MM2530DD6A	25	30	23	2	M6	25	M6	25	60	41	8.1	8.1	0.8
MM3015EE6A	30	15	28	2	M8	25	M8	25	60	68	28	14	2.6
MM3020EE6A	30	20	28	2	M8	25	M8	25	60	68	27.1	14	2.5
MM3025EE6A	30	25	28	2	M8	25	M8	25	60	64	25.7	14	2.4
MM3030EE6A	30	30	28	2	M8	25	M8	25	60	58	20.5	12	2.3





# MONDIALTECH

Forniture Industriali

Via Raimondo Dalla Costa 240/b  
 41100 MODENA - ITALY  
 Tel. +39 059 250090 Fax. +39 059 260083  
 Codice R.E.A. 354046  
 Partita IVA E. Codice Fiscale: 03061810366  
 e-Mail: [monditecinfo@mondialtech.net](mailto:monditecinfo@mondialtech.net)  
 Web: <http://www.mondialtech.net>



Vasto assortimento di Cuscinetti SKF - FAG

MODELLO	D mm	H mm	DR mm	S mm	P1	F1 mm	P2	F2 mm	DUREZZA ShA	Carico Compressione MAX (Kg)	K Comp	Carico Taglio MAX (Kg)	K Taglio
MM3035EE6A	30	35	28	2	M8	25	M8	25	60	54	16.9	10	1.6
MM3040EE6A	30	40	28	2	M8	25	M8	25	60	47.5	9.5	9	0.9
MM4015EE6A	40	15	38	2	M8	25	M8	25	60	115	29	26	2.7
MM4015FF6A	40	15	38	2	M10	30	M10	30	60	115	29	26	2.7
MM4020EE6A	40	20	38	2	M8	25	M8	25	60	103	28	24	2.5
MM4020FF6A	40	20	38	2	M10	30	M10	30	60	103	28	24	2.5
MM4030EE6A	40	30	38	2	M8	25	M8	25	60	96	20.7	22	2.1
MM4030FF6A	40	30	38	2	M10	30	M10	30	60	96	20.7	22	2.1
MM4035EE6A	40	35	38	2	M8	25	M8	25	60	92	17.7	21	1.7
MM4035FF6A	40	35	38	2	M10	30	M10	30	60	92	17.7	21	1.7
MM4040EE6A	40	40	38	2	M8	25	M8	25	60	91	14.7	21	1.4
MM4040FF6A	40	40	38	2	M10	30	M10	30	60	91	14.7	21	1.4
MM5020FF6A	50	20	48	2.5	M10	30	M10	30	60	168	53	37	4.9
MM5025FF6A	50	25	48	2.5	M10	30	M10	30	60	144	40	36	4.9
MM5030FF6A	50	30	48	2.5	M10	30	M10	30	60	140	35	35	4.1
MM5040FF6A	50	40	48	2.5	M10	30	M10	30	60	135	19.4	30	1.9
MM5045FF6A	50	45	48	2.5	M10	30	M10	30	60	130	17.9	28	1.6
MM5050FF6A	50	50	48	2.5	M10	30	M10	30	60	126	16.4	26	1.4
MM6030GG6A	60	30	58	2.5	M12	40	M12	40	60	209	36.8	39	1.8
MM6035GG6A	60	35	58	2.5	M12	40	M12	40	60	200	34	35	1.8
MM6040GG6A	60	40	58	2.5	M12	40	M12	40	60	198	30	35	1.8
MM6045GG6A	60	45	58	2.5	M12	40	M12	40	60	198	26	33	1.7
MM6050GG6A	60	50	58	2.5	M12	40	M12	40	60	198	24	32	1.7
MM7525GG6A	75	25	73	3	M12	40	M12	40	60	304	62.4	54	3.5
MM7530GG6A	75	30	73	3	M12	40	M12	40	60	297	57.6	51	3.2
MM7540GG6A	75	40	73	3	M12	40	M12	40	60	283	43.8	48	3
MM7545GG6A	75	45	73	3	M12	40	M12	40	60	275	39.8	46	3
MM7550GG6A	75	50	73	3	M12	40	M12	40	60	229	28.9	44	2.4
MM7555GG6A	75	55	73	3	M12	40	M12	40	60	204	23.1	42	2.2
MM10040HH6A	100	40	98	3	M16	50	M16	50	60	594	89.7	99	5.9
MM10050HH6A	100	50	98	3	M16	50	M16	50	60	585	72.3	99	5.6
MM10055HH6A	100	55	98	3	M16	50	M16	50	60	577	64.6	99	5.4
MM10060HH6A	100	60	98	3	M16	50	M16	50	60	570	58.7	99	5.4
MM10080HH6A	100	80	98	3	M16	50	M16	50	60	555	43.2	99	5

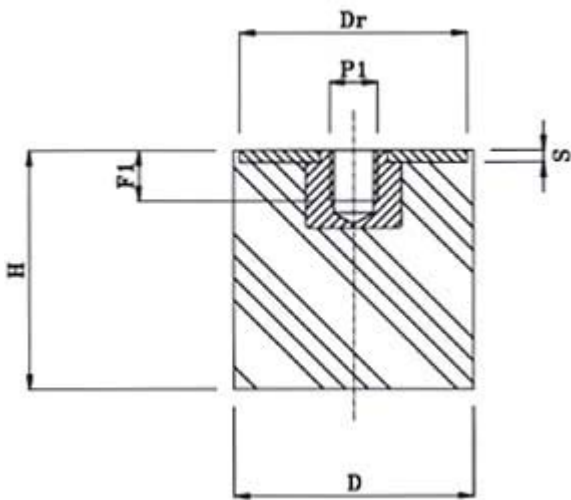


**MONDIALTECH**

Forniture Industriali

Via Raimondo Dalla Costa 240/b  
 41100 MODENA - ITALY  
 Tel. +39 059 250090 Fax. +39 059 260083  
 Codice R.E.A. 354046  
 Partita IVA E. Codice Fiscale: 03061810366  
 e-Mail: [mondialtech@mondialtech.net](mailto:mondialtech@mondialtech.net)  
 Web: <http://www.mondialtech.net>

Vasto assortimento di Cuscinetti SKF - FAG



**ANTIVIBRANTE CILINDRICO PIEDE-FEMMINA 60 SH (PF)**  
**ANTI-VIBRATION MOUNTINGS FOOT-FEMALE 60 SH (PF)**

MODELLO	D mm	H mm	DR mm	S mm	P1	F1 mm	DUREZZA ShA	Carico Compressione MAX (Kg)
PF151546A	15	15	14	1	M4	5	60	10
PF151556A	15	15	14	1	M5	5	60	10
PF152046A	15	20	14	1	M4	5	60	9
PF152056A	15	20	14	1	M5	5	60	9
PF201566A	20	15	18	2	M6	8	60	21
PF202066A	20	20	18	2	M6	8	60	20
PF202566A	20	25	18	2	M6	8	60	19
PF251566A	25	15	23	2	M6	8	60	30
PF252066A	25	20	23	2	M6	8	60	30
PF252566A	25	25	23	2	M6	8	60	27
PF301586A	30	15	28	2	M8	9	60	45
PF302086A	30	20	28	2	M8	9	60	45
PF303086A	30	30	28	2	M8	9	60	45
PF304086A	30	40	28	2	M8	9	60	45
PF402086A	40	20	38	2	M8	9	60	80
PF4020106A	40	20	38	2	M10	11	60	80
PF403086A	40	30	38	2	M8	9	60	80



# MONDIALTECH

Forniture Industriali

Via Raimondo Dalla Costa 240/b  
 41100 MODENA - ITALY  
 Tel. +39 059 250090 Fax. +39 059 260083  
 Codice R.E.A. 354046  
 Partita IVA E Codice Fiscale: 03061810366  
 e-Mail: [monditecinfo@mondialtech.net](mailto:monditecinfo@mondialtech.net)  
 Web: <http://www.mondialtech.net>

Vasto assortimento di Cuscinetti SKF - FAG



MODELLO	D mm	H mm	DR mm	S mm	P1	F1 mm	DUREZZA ShA	Carico Compressione MAX (Kg)
PF4030106A	40	30	38	2	M10	11	60	80
PF404086A	40	40	38	2	M8	9	60	75
PF4040106A	40	40	38	2	M10	11	60	75
PF5020106A	50	20	48	2.5	M10	11	60	90
PF5030106A	50	30	48	2.5	M10	11	60	90
PF5040106A	50	40	48	2.5	M10	11	60	90
PF5050106A	50	50	48	2.5	M10	11	60	90
PF6030126A	60	30	58	2.5	M12	13	60	140
PF6040126A	60	40	58	2.5	M12	13	60	140
PF6050126A	60	50	58	2.5	M12	13	60	140
PF7525126A	75	25	73	3	M12	13	60	240
PF7530126A	75	30	73	3	M12	13	60	240
PF7540126A	75	40	73	3	M12	13	60	240
PF7550126A	75	50	73	3	M12	13	60	240
PF10030166A	50	40	48	3	M16	16	60	315
PF10040166A	50	50	48	3	M16	16	60	315
PF10050166A	60	30	58	3	M16	16	60	315

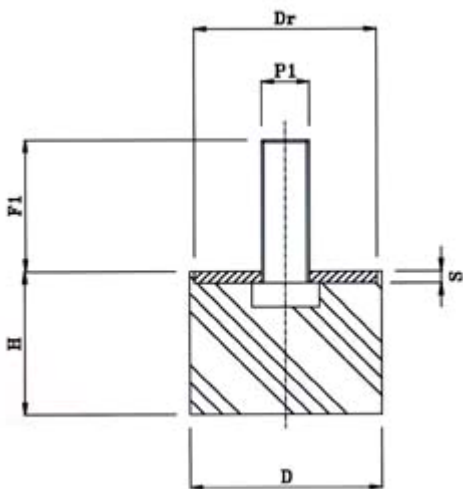


**MONDIALTECH**

Forniture Industriali

Via Raimondo Dalla Costa 240/b  
 41100 MODENA - ITALY  
 Tel. +39 059 256090 Fax: +39 059 260883  
 Codice R.E.A. 354046  
 Partita IVA E. Codice Fiscale: 03661810366  
 e-Mail: [monditecinfo@mondialtech.net](mailto:monditecinfo@mondialtech.net)  
 Web: <http://www.mondialtech.net>

Vasto assortimento di Cuscinetti SKF - FAG



**ANTIVIBRANTE CILINDRICO PIEDE-MASCHIO 60 SH (PM)**  
**ANTI-VIBRATION MOUNTINGS FOOT-MALE 60 SH (PM)**

MODELLO	D mm	H mm	DR mm	S mm	P1	F1 mm	DUREZZA ShA	Carico Compressione MAX (Kg)	K Comp
PM1510A6A	15	10	14	1	M4	15	60	11	8.5
PM1510B6A	15	10	14	1	M5	15	60	11	8.5
PM1515A6A	15	15	14	1	M4	15	60	10	7
PM1515B6A	15	15	14	1	M5	15	60	10	7
PM1520A6A	15	20	14	1	M4	15	60	9	5.5
PM1520B6A	15	20	14	1	M5	15	60	9	5.5
PM209C6A	20	9	18	2	M6	20	60	26	28.2
PM2015C6A	20	15	18	2	M6	20	60	21	11.1
PM2020C6A	20	20	18	2	M6	20	60	20	8
PM2025C6A	20	25	18	2	M6	20	60	19	7.3
PM2510D6A	25	10	23	2	M6	25	60	30	24
PM2515D6A	25	15	23	2	M6	25	60	30	19
PM2520D6A	25	20	23	2	M6	25	60	30	12
PM2525D6A	25	25	23	2	M6	25	60	27	11.5
PM3015E6A	30	15	28	2	M8	25	60	45	16
PM3020E6A	30	20	28	2	M8	25	60	45	15.5
PM3025E6A	30	25	28	2	M8	25	60	45	13.6



# MONDIALTECH

Forniture Industriali

Via Raimondo Dalla Costa 240/b  
 41100 MODENA - ITALY  
 Tel. +39 059 250090 Fax: +39 059 260083  
 Codice R.E.A. 354046  
 Partita IVA E. Codice Fiscale: 03061810366  
 e-Mail: [monditecinfo@mondialtech.net](mailto:monditecinfo@mondialtech.net)  
 Web: <http://www.mondialtech.net>

Vasto assortimento di Cuscinetti SKF - FAG



MODELLO	D mm	H mm	DR mm	S mm	P1	F1 mm	DUREZZA Sha	Carico Compressione MAX (Kg)	K Comp
PM3030E6A	30	30	28	2	M8	25	60	45	11.8
PM3035E6A	30	35	28	2	M8	25	60	45	10
PM3040E6A	30	40	28	2	M8	25	60	45	8
PM4015E6A	40	15	38	2	M8	25	60	80	28
PM4015F6A	40	15	38	2	M10	30	60	80	28
PM4020E6A	40	20	38	2	M8	25	60	80	25.2
PM4020F6A	40	20	38	2	M10	30	60	80	25.2
PM4030E6A	40	30	38	2	M8	25	60	80	21
PM4030F6A	40	30	38	2	M10	30	60	80	21
PM4040E6A	40	40	38	2	M8	25	60	75	16.4
PM4040F6A	40	40	38	2	M10	30	60	75	16.4
PM5020F6A	50	20	48	2.5	M10	30	60	90	21
PM5025F6A	50	25	48	2.5	M10	30	60	90	18.5
PM5030F6A	50	30	48	2.5	M10	30	60	90	18.3
PM5040F6A	50	40	48	2.5	M10	30	60	90	18
PM5050F6A	50	50	48	2.5	M10	30	60	90	14.8
PM6030G6A	60	30	58	2.5	M12	40	60	140	22.8
PM6040G6A	60	40	58	2.5	M12	40	60	140	22.6
PM6050G6A	60	50	58	2.5	M12	40	60	140	22.5
PM7525G6A	75	25	73	3	M12	40	60	240	39
PM7530G6A	75	30	73	3	M12	40	60	240	36
PM7540G6A	75	40	73	3	M12	40	60	240	29
PM7550G6A	75	50	73	3	M12	40	60	240	23
PM10030H6A	100	30	98	3	M16	50	60	315	59
PM10040H6A	100	40	98	3	M16	50	60	315	48.7
PM10050H6A	100	50	98	3	M16	50	60	315	39.8



**MONDIALTECH**

Forniture Industriali

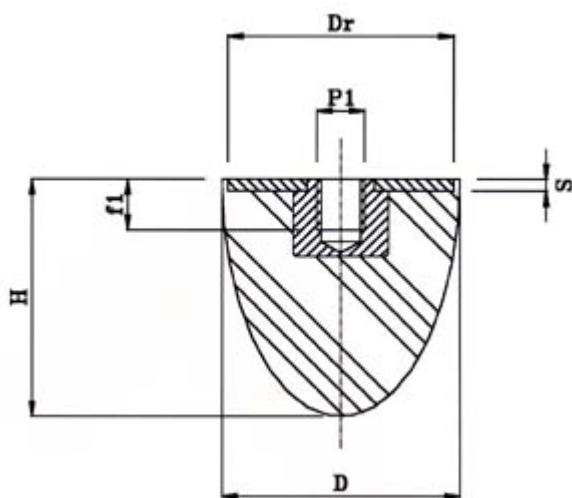
Via Raimondo Dalla Costa 240/b  
 41100 MODENA - ITALY  
 Tel. +39 059 250090 Fax. +39 059 260083  
 Codice R.E.A. 354046  
 Partita IVA E. Codice Fiscale: 03061810366  
 e-Mail: [mondialtech@mondialtech.net](mailto:mondialtech@mondialtech.net)  
 Web: <http://www.mondialtech.net>

LK  
 Pagamenti di Qualità

CSC  
 Cuscinetti Standard

MONDIAL  
 Cuscinetti a Balli

Vasto assortimento di Cuscinetti SKF - FAG



**ANTIVIBRANTE PARABOLICO PIEDE-FEMMINA 60 SH (PPF)**  
**ANTI-VIBRATION MOUNTINGS PARABOLIC FOOT-FEMALE 60 SH (PPF)**

MODELLO	D mm	H mm	DR mm	S mm	P1	F1 mm	Durezza ShA	Carico Compressione MAX (Kg)
PPF301566A	30	15	28	2	M6	8	60	30
PPF301586A	30	15	28	2	M8	9	60	30
PPF403086A	40	30	38	2	M8	9	60	75
PPF506786A	50	67	48	2.5	M8	9	60	75
PPF5067106A	50	67	48	2.5	M10	11	60	75
PPF1083166A	100	83	98	3	M16	16	60	300





**MONDIALTECH**

Forniture Industriali

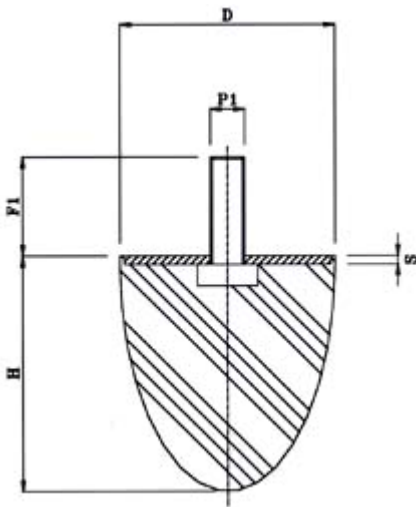
Via Raimondo Dalla Costa 240/b  
 41100 MODENA - ITALY  
 Tel. +39 059 256090 Fax. +39 059 260883  
 Codice R.E.A. 354046  
 Partita IVA E. Codice Fiscale: 03061810366  
 e-Mail: [mondialtech@mondialtech.net](mailto:mondialtech@mondialtech.net)  
 Web: <http://www.mondialtech.net>

LK  
 Pagamenti di Qualità

CSC  
 Certificazioni Normative

MONDIAL  
 Cuscinetti a Balli

Vasto assortimento di Cuscinetti SKF - FAG



**ANTIVIBRANTE PARABOLICO PIEDE-MASCHIO 60 SH (PPM)**  
**ANTI-VIBRATION MOUNTINGS PARABOLIC FOOT-MALE 60 SH (PPM)**

MODELLO	D mm	H mm	DR mm	S mm	P1	F1 mm	DUREZZA ShA	Carico Compressione MAX (Kg)
PPM3015D6A	30	15	28	2	M6	16	60	30
PPM3015E6A	30	15	28	2	M8	25	60	30
PPM4030E6A	40	30	38	2	M8	25	60	75
PPM5067E6A	50	67	48	2.5	M8	25	60	75
PPM5067F6A	50	67	48	2.5	M10	30	60	75
PPM1083H6A	100	83	98	3	M16	50	60	300



**MONDIALTECH**

Forniture Industriali

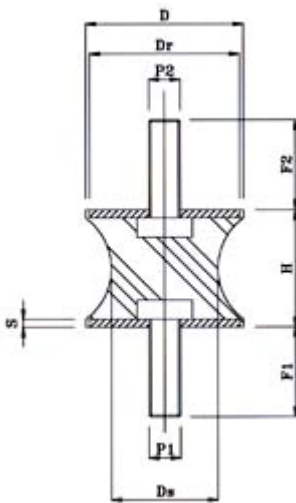
Via Raimondo Dalla Costa 240/b  
 41100 MODENA - ITALY  
 Tel. +39 059 256090 Fax: +39 059 260883  
 Codice R.E.A. 354046  
 Partita IVA E Codice Fiscale: 03661810366  
 e-Mail: [mondialtech@mondialtech.net](mailto:mondialtech@mondialtech.net)  
 Web: <http://www.mondialtech.net>

LK  
 Pagamenti di Qualità

CSC  
 Cuscinetti Standard

MONDIAL  
 Cuscinetti a Balli

Vasto assortimento di Cuscinetti SKF - FAG



**ANTIVIBRANTE SGOLATO MASCHIO-MASCHIO 60 SH (MM)**  
**ANTI-VIBRATION MOUNTINGS MALE-MALE 60 SH (MM)**

MODELLO	D mm	H mm	DR mm	S mm	P1	F1 mm	P2	F2 mm	DS mm	DUREZZA ShA
MM12144D4D6AA	12	14	11	1.5	M4	15	M4	15	7	60
MM4030EE6AB	40	30	38	2	M8	25	M8	25	19	60
MM4030EE6AC	40	30	38	2	M8	25	M8	25	27	60
MM4030FF6AB	40	30	38	2	M10	30	M10	30	19	60
MM4030FF6AC	40	30	38	2	M10	30	M10	30	27	60

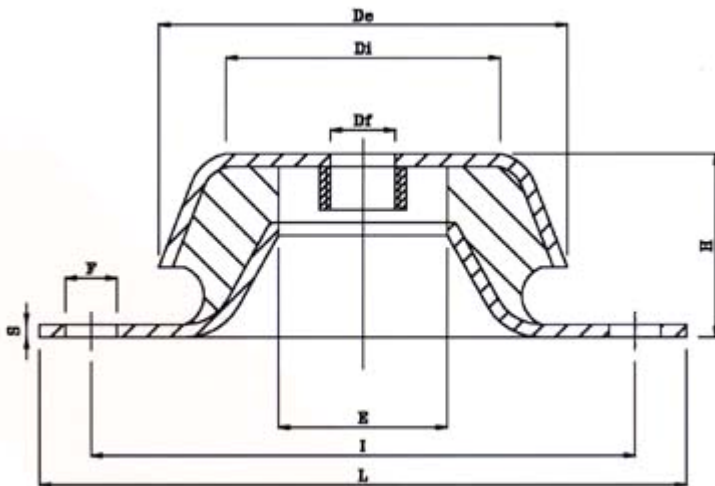


**MONDIALTECH**

Forniture Industriali

Via Raimondo Dalla Costa 240/b  
 41100 MODENA - ITALY  
 Tel. +39 059 250090 Fax: +39 059 260083  
 Codice R.E.A. 354046  
 Partita IVA E. Codice Fiscale: 03061810366  
 e-Mail: [mondialtech@mondialtech.net](mailto:mondialtech@mondialtech.net)  
 Web: <http://www.mondialtech.net>

Vasto assortimento di Cuscinetti SKF - FAG



**ANTIVIBRANTI A CAMPANA CON ALLOGGIAMENTO 60 SH  
 ANTI-VIBRATION BELL WITH NUT 60 SH**

MODELLO	De mm	Di mm	Df mm	F mm	E mm	L mm	I mm	H mm	S mm	DUREZZA ShA	Carico Compressione MAX (Kg/Cm2)
ANTCAF88236A	48	38	M8	6.2	18	88	68	23	1.5	60	100
ANTCAF100306A	62	50	M10	8.2	25	100	85	85	2	60	270
ANTCAF130456A	92	73.5	M14	10.2	42	130	110	45	3	60	420
ANTCAF180506A	109	83	M16	16.2	42	180	150	50	5	60	1120
ANTCAF190506A	109	98.5	M16	16.2	60	190	160	50	5	60	820
ANTCAF232606A	160	133	M20	16.2	90	232	200	60	6	60	1200



**MONDIALTECH**

Forniture Industriali

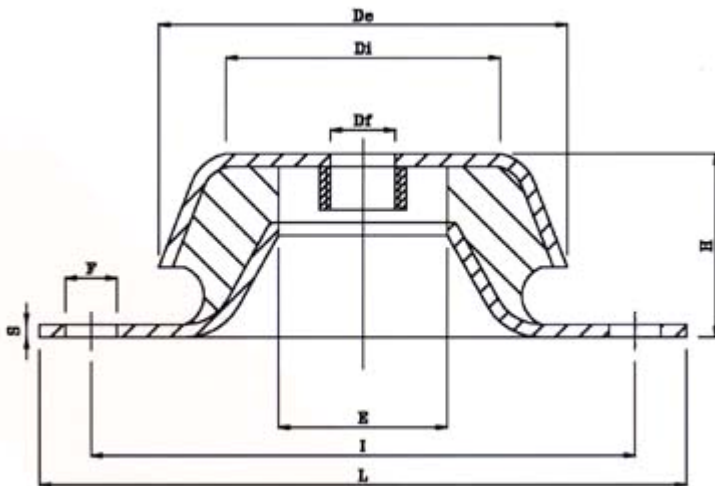
Via Raimondo Dalla Costa 240/b  
 41100 MODENA - ITALY  
 Tel. +39 059 250090 Fax. +39 059 260083  
 Codice R.E.A. 354046  
 Partita IVA E. Codice Fiscale: 03061810366  
 e-Mail: [monditech@monditech.net](mailto:monditech@monditech.net)  
 Web: <http://www.monditech.net>

Vasto assortimento di Cuscinetti SKF - FAG

LK  
 Pagamenti di Qualità

CSC  
 Cuscinetti Standard

MONDIAL  
 Cuscinetti a Balli



**ANTIVIBRANTI A CAMPANA SENZA ALLOGGIAMENTO 60 SH**  
**ANTI-VIBRATION BELL WITHOUT NUT 60 SH**

MODELLO	De mm	Di mm	Df mm	F mm	E mm	L mm	I mm	H mm	S mm	DUREZZA ShA	Carico Compressione MAX (Kg/Cm2)
ANTCA88236A	48	38	8.2	6.2	18	88	68	23	1.5	60	100
ANTCA100306A	62	50	10.2	8.2	25	100	85	30	2	60	270
ANTCA130456A	92	73.5	16.2	10.2	42	130	110	45	3	60	420
ANTCA180506A	109	83	24.5	16.2	42	180	150	50	5	60	1120
ANTCA190506A	109	98.5	24.2	16.2	60	190	160	50	5	60	820
ANTCA232606A	160	133	30.2	16.2	90	232	200	60	6	60	1200

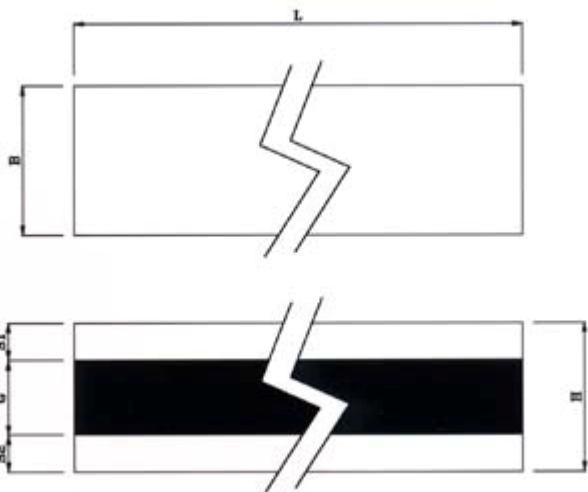


**MONDIALTECH**

Forniture Industriali

Via Raimondo Dalla Costa 240/b  
 41100 MODENA - ITALY  
 Tel. +39 059 250090 Fax. +39 059 260083  
 Codice R.E.A. 354046  
 Partita IVA E. Codice Fiscale: 03061810366  
 e-Mail: [mondialtech@mondialtech.net](mailto:mondialtech@mondialtech.net)  
 Web: <http://www.mondialtech.net>

Vasto assortimento di Cuscinetti SKF - FAG



**BARRA METALGOMMA (BM)  
 RUBBER METAL BAR (BM)**

MODELLO	B mm	H mm	S1 mm	S2 mm	G mm	L mm	DUREZZA ShA	Carico Compressione MAX (Kg/Cm2)
BM403050086	40	30	8	8	14	500	60	12
BM403550086	40	35	8	8	19	500	60	12
BM404050086	40	40	8	8	24	500	60	12
BM404550086	40	45	8	8	29	500	60	12
BM405050086	40	50	8	8	34	500	60	12
BM5030500106	50	30	10	10	10	500	60	12
BM5035500106	50	35	10	10	15	500	60	12
BM5040500106	50	40	10	10	20	500	60	12
BM5045500106	50	45	10	10	25	500	60	12
BM5050500106	50	50	10	10	30	500	60	12
BM6030500106	60	30	10	10	10	500	60	12
BM6035500106	60	35	10	10	15	500	60	12
BM6040500106	60	40	10	10	20	500	60	12
BM6045500106	60	45	10	10	25	500	60	12
BM6050500106	60	50	10	10	30	500	60	12
BM10050500156	100	50	15	15	20	500	60	12
BM10060500156	100	60	15	15	30	500	60	12
BM15080500156	150	80	15	15	50	500	60	12



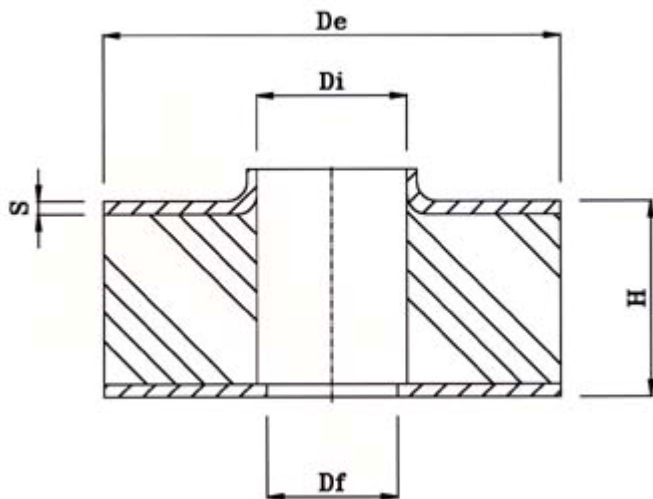
**MONDIALTECH**

Forniture Industriali

Via Raimondo Dalla Costa 240/b  
 41100 MODENA - ITALY  
 Tel. +39 059 250090 Fax. +39 059 260083  
 Codice R.E.A. 354046  
 Partita IVA E. Codice Fiscale: 03061810366  
 e-Mail: [mondialtech@mondialtech.net](mailto:mondialtech@mondialtech.net)  
 Web: <http://www.mondialtech.net>



Vasto assortimento di Cuscinetti SKF - FAG



**COLLARINO 60 SH**  
**COLLAR 60 SH**

MODELLO	De (mm)	D1 (mm)	D2 (mm)	H (mm)	S (mm)	Durezza ShA	Carico Compressione MAX (Kg)	Carico Taglio MAX (Kg)
COL60156A	60	23	20.5	15	2	60	370	70
COL70306A	70	23	20.5	30	2	60	450	100
COL100306A	100	23	20.5	30	2	60	700	150





**MONDIALTECH**  
Forniture Industriali

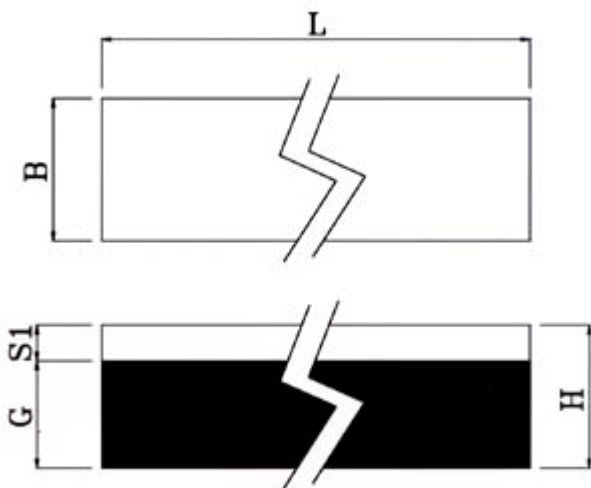
Via Raimondo Dalla Costa 240/b  
41100 MODENA - ITALY  
Tel. +39 059 250090 Fax. +39 059 260083  
Codice R.E.A. 354046  
Partita IVA E Codice Fiscale: 03061810366  
e-Mail: [mondialtech@mondialtech.net](mailto:mondialtech@mondialtech.net)  
Web: <http://www.mondialtech.net>

Vasto assortimento di Cuscinetti SKF - FAG

**LK**  
Prestigi e Qualità

**CSC**  
Cuscinetti Standard

**MONDIAL**  
Cuscinetti a Rulli



### LISTELLO METALGOMMA (LM) RUBBER TO METAL BAR (LM-ONLY ONE PLATE)

MODELLO	B mm	H mm	S1	G mm	L mm	DUREZZA Sha	Carico Compressione MAX (Kg/Cm <sup>2</sup> )
LM303050086	30	30	8	22	500	60	12
LM403050086	40	30	8	22	500	60	12
LM404050086	40	40	8	32	500	60	12
LM5030500106	50	30	10	20	500	60	12
LM5040500106	50	40	10	30	500	60	12
LM5050500106	50	50	10	40	500	60	12
LM6040500106	60	40	10	30	500	60	12
LM6050500106	60	50	10	40	500	60	12
LM6060500106	60	60	10	50	500	60	12
LM10050500156	100	50	15	35	500	60	12
LM10060500156	100	60	15	45	500	60	12
LM15060500156	150	60	15	45	500	60	12
LM10080500156	150	80	15	45	500	60	12



**MONDIALTECH**  
Forniture Industriali

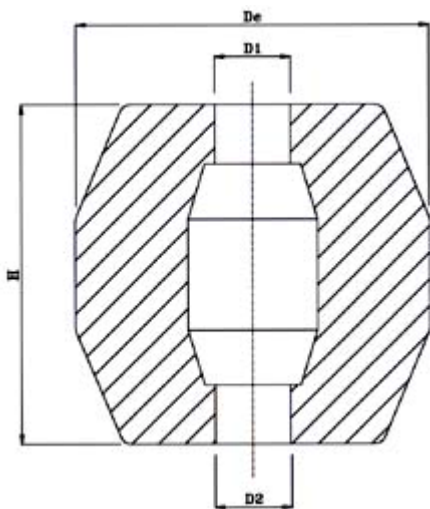
Via Raimondo Dalla Costa 240/b  
41100 MODENA - ITALY  
Tel. +39 059 256090 Fax. +39 059 260883  
Codice R.E.A. 354046  
Partita IVA E. Codice Fiscale: 03661810366  
e-Mail: [monditecinfo@mondialtech.net](mailto:monditecinfo@mondialtech.net)  
Web: <http://www.mondialtech.net>

Vasto assortimento di Cuscinetti SKF - FAG

**LK**  
Pagamenti di Qualità

**CSC**  
Credito Sicuro

**MONDIAL**  
Cuscinetti a Rulli



## MOLLINGOM TIPO A MOLLIGOM TYPE A

MODELLO	De (mm)	H (mm)	D1 (mm)	D2 (mm)	Durezza ShA
ART333	140	90	28	28	60
ART422	92	90	30	30	60
ART1557	55	55	14	14	60
ART1659	188	180	40	40	60



**MONDIALTECH**  
Forniture Industriali

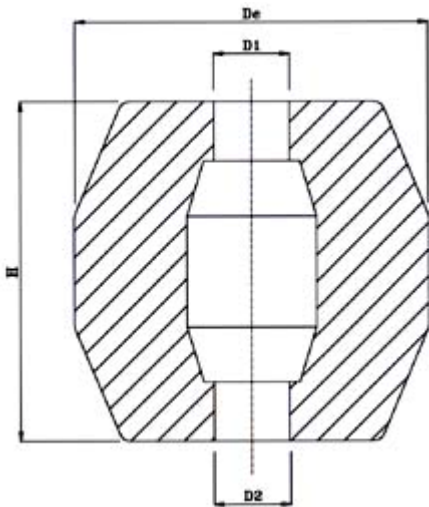
Via Raimondo Dalla Costa 240/b  
41100 MODENA - ITALY  
Tel. +39 059 256090 Fax. +39 059 260883  
Codice R.E.A. 354046  
Partita IVA E Codice Fiscale: 03661810366  
e-Mail: [mondialtech@mondialtech.net](mailto:mondialtech@mondialtech.net)  
Web: <http://www.mondialtech.net>

Vasto assortimento di Cuscinetti SKF - FAG

LK  
Pagamenti di Qualità

CSC  
Credito Sicuro

MONDIAL  
Cassa e Balli



**MOLLINGOM TIPO B**  
**MOLLIGOM TYPE B**

MODELLO	De (mm)	H (mm)	D1 (mm)	D2 (mm)	Durezza ShA
ART442	108	128	25	25	60